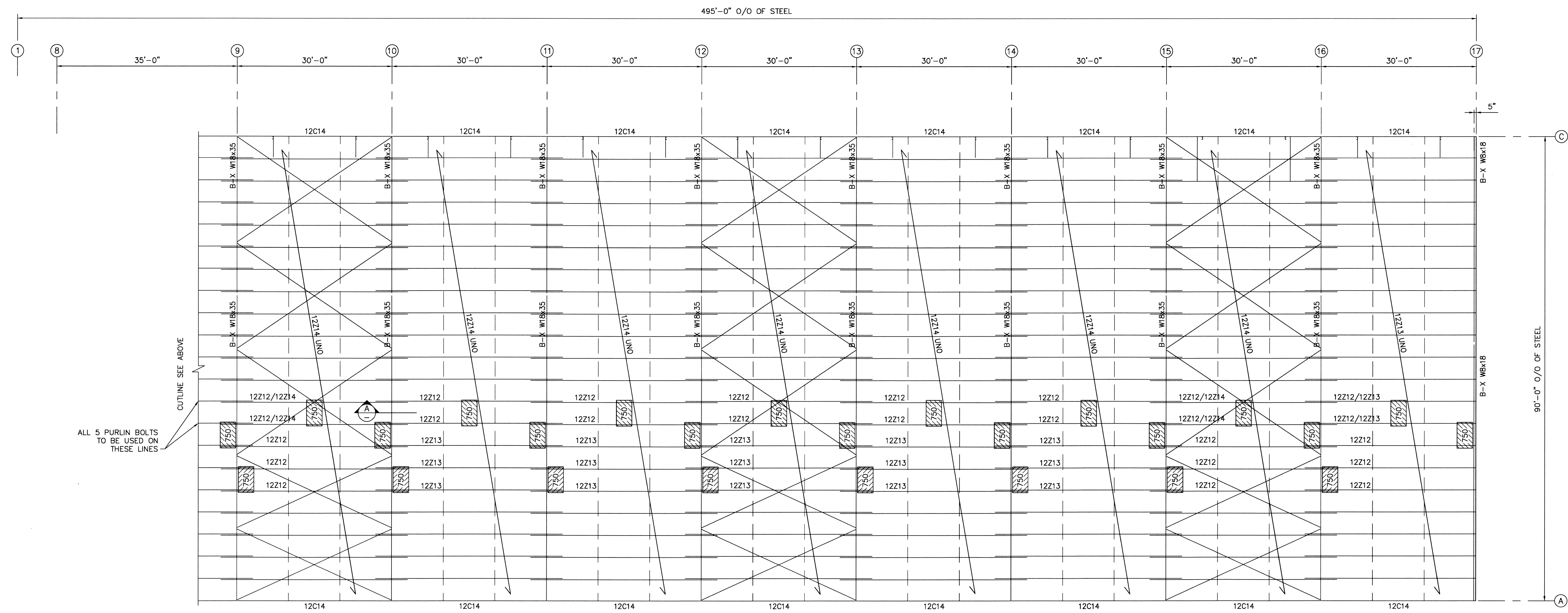
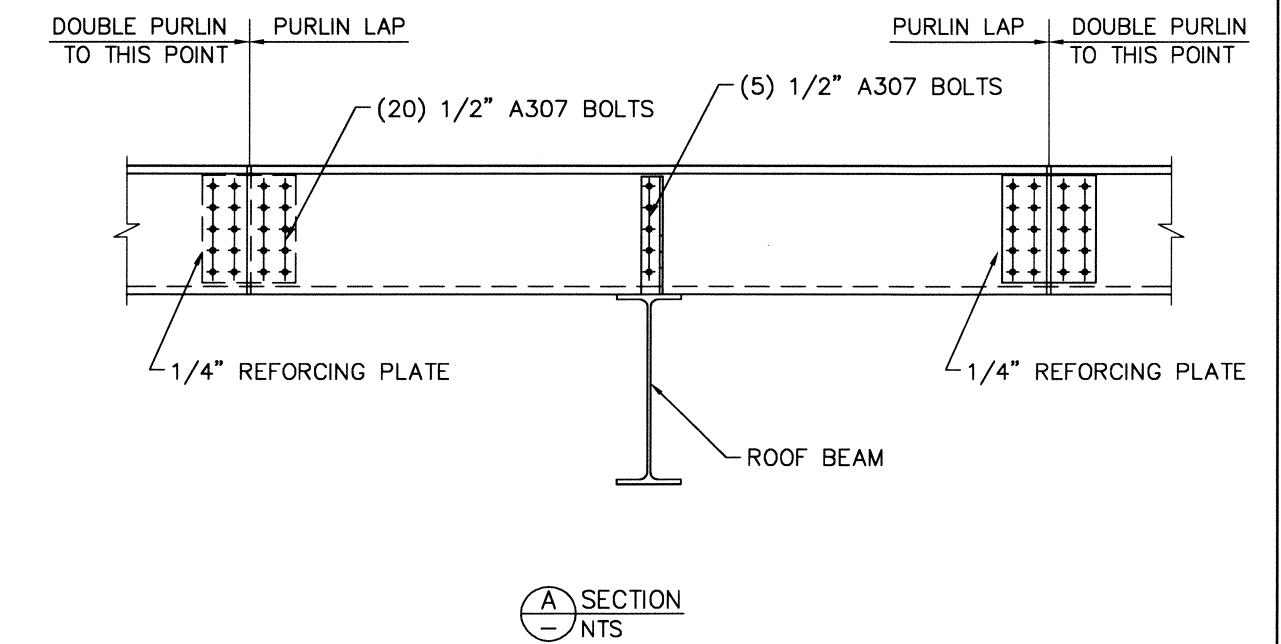
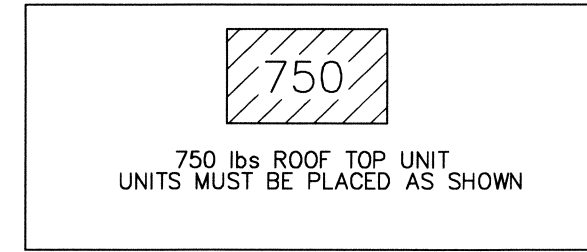
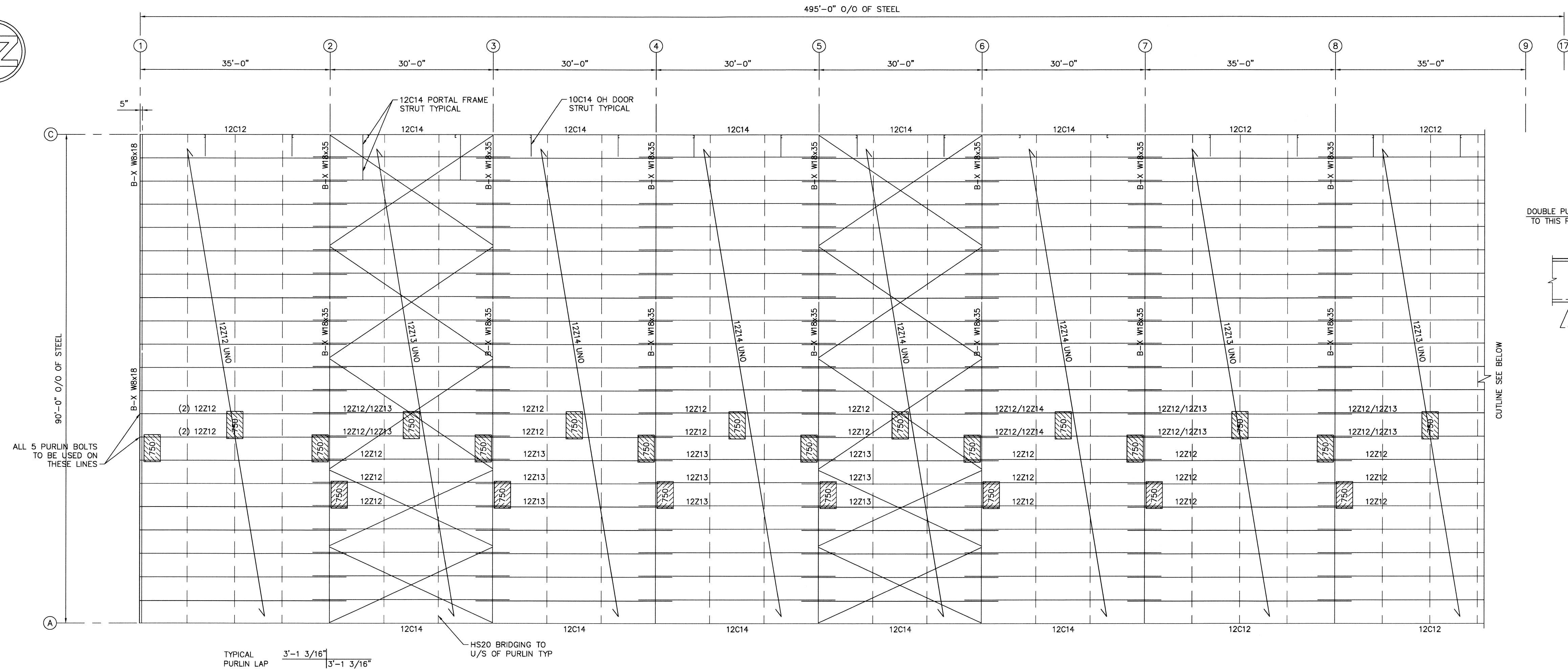


AUG 18 2009



RS-1 CANSpan 36 26GA GALVALUME ROOF SHEET
RS-2 CANSpan 36 26GA GALVALUME ROOF SHEET
4" LAP

ROOF FRAMING PLAN
ALL ROOF BRACING TO BE 3/4" Ø ROD
SEE DRAWING S3 FOR FLANGE BRACING LOCATIONS

ISSUED FOR BUILDING PERMIT					
A	TT	M/R	JBS	AUG 12/09	
ISSUE	DRAWN	CHECK	REVIEW	DATE	
ISSUE / REVISION					
END USER 1472482 ALBERTA LTD					
CUSTOMER ACRE PROPERTIES LTD					
DESIGNED	DATE	DRAWN	DATE		
JAS	AUG 6/09	TT	AUG 12/09		
CHECKED	DATE	REVIEWED	DATE		
M/R	AUG 15/09	JBS	AUG 18/09		

TARPON ENERGY SERVICES LTD.
STRUCTURES
TARPON ENERGY SERVICES (STRUCTURES) LTD.
7001 44 Street SE, Calgary, AB T2C 4T8, Canada
Tel: (403) 248-8000 Fax: (403) 279-3140 email: structures@tarponenergy.com

PROJECT WRANGLER SHOP AND OFFICE COMPLEX					
DRAWING TITLE ROOF FRAMING PLAN					
PROJECT NUMBER	DRAWING	ISSUE	SCALE		
09ST-0312	S4	A	NONE		

THIS DRAWING IS CONFIDENTIAL AND IS THE PROPERTY OF TARPON ENERGY SERVICES (STRUCTURES) LTD. IT MAY NOT BE COPIED, REPRODUCED OR USED IN WHOLE OR IN PART IN ANY MANNER WITHOUT THE WRITTEN PERMISSION OF TARPON ENERGY SERVICES (STRUCTURES) LTD. IF YOU ARE NOT AN EMPLOYEE OF TARPON ENERGY SERVICES (STRUCTURES) LTD. PLEASE FOR YOUR USE OF THIS DRAWING TO BE LIMITED TO THE PROJECT ONLY. PLEASE CONTACT TARPON ENERGY SERVICES (STRUCTURES) LTD. FOR ANY OTHER USES.